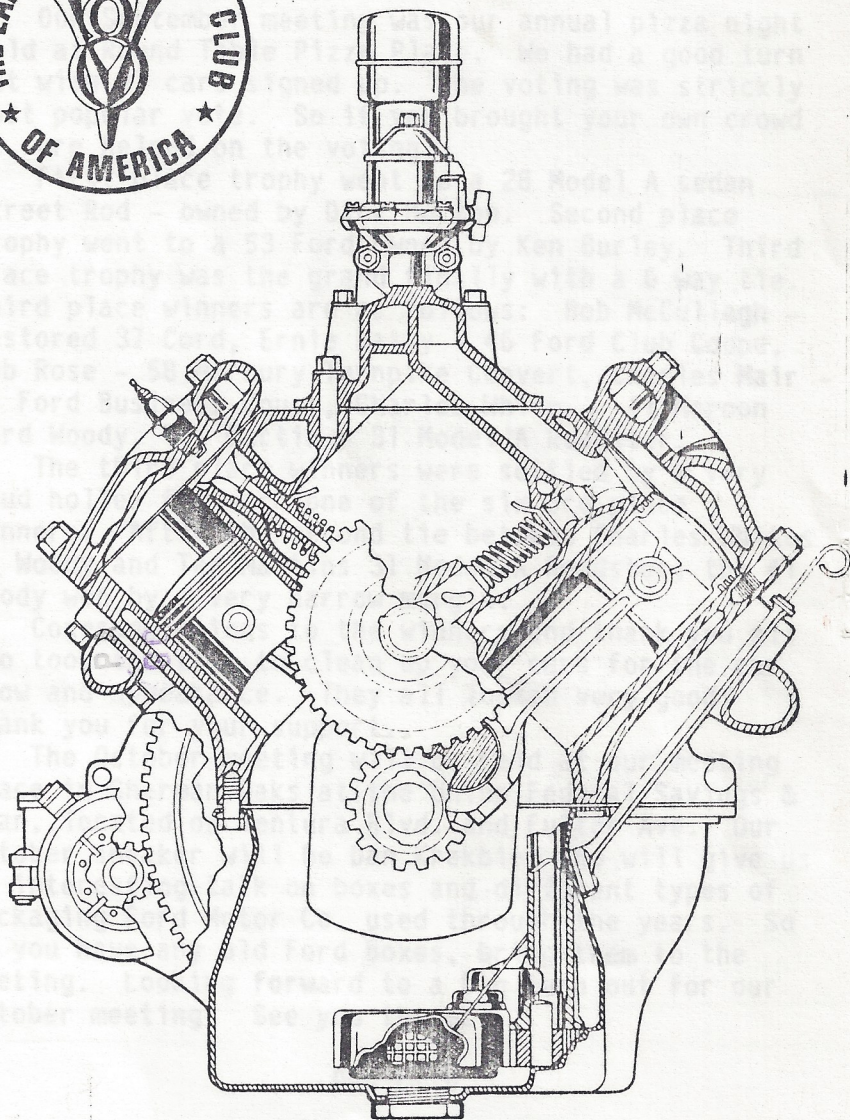


*President's Message*



*Drive Lines*

## **Presidents Message**

Our September meeting was our annual pizza night held at Round Table Pizza Place. We had a good turn out with 27 cars signed up. The voting was strickly most popular vote. So if you brought your own crowd it sure helped on the voting.

First place trophy went to a 28 Model A sedan street Rod - owned by Dick Horton. Second place trophy went to a 53 Ford owned by Ken Burley. Third place trophy was the grand finally with a 6 way tie. Third place winners are as follows: Bob McCullagh - restored 37 Cord, Ernie Bailly - 46 Ford Club Coupe, Bob Rose - 58 Mercury Turnpike Convert, Charles Mair - 41 Ford Business Coupe, Charles White - 41 Maroon Ford Woody, Ted Martin - 31 Model A Roadster.

The third place winners were settled by a very loud holler for each one of the six 3rd place winners. After the second tie between Charles Whites 41 Woody and Ted Martins 31 Model A Roadster, the 41 Woody won by a very narrow margin.

Congradulations to the winners and thank you all who took the time to clean up your cars for the car show and appearance. They all looked very good. Thank you for your support.

The October meeting will be held at our meeting place in Sherman Oaks at the Union Federal Savings & Loan, located on Ventura Blvd. and Fulton Ave. Our October speaker will be Dan Krekbiel who will give us an interesting talk on boxes and different types of packaging Ford Motor Co. used through the years. So if you have any old Ford boxes, bring them to the meeting. Looking forward to a big turn out for our October meeting. See you there.

Don L. D.



## BOBS TRANSMISSION SERVICE

DISCOUNT PRICES • 20 YEARS EXPERIENCE  
THOUSAND OAKS • CAMARILLO

(805) 482-1868

(805) 492-2132

# All★in★1 Printing

THE MOST ECONOMICAL, HASSLE FREE WAY TO BUY PRINTING IN PASADENA OR  
ALMOST ANYWHERE! 116 W DFL MAR BLVD PASADENA CA 91105 (714) 795 5554



Typewriting



Quick Printing



Photostats



Art & Design



Photography



Custom Printing

ASK FOR ALLAN FRANKLIN

## MOTORING ACCESSORIES

CUSTOM FIT CAR COVERS V-8 FORDS



Andy Cohen

200 S. ROBERTSON BLVD.  
BEVERLY HILLS, CALIFORNIA 90211


657-4800



MANUFACTURER & SUPPLIER OF ARTIFICIAL FORD PARTS

1819 N.W. WASHINGTON BLVD.  
GRANTS PASS, OREGON 97526



*The Early Ford*   
CLUB OF AMERICA



---

**Canoga Auto Parts Co.**  
**340-1536**

21422 SHERMAN WAY  
CANOGA PARK, CALIF. 91303

---

**DON'S**  
**Auto Parts**

MACHINE SHOP and BALANCING

Monday thru Friday 9 a.m. to 8 p.m.

Saturday 9 to 6 - Sunday 10 to 4

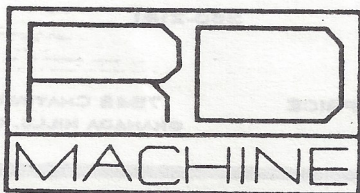
Domestic &  
Foreign

Parts & Supplies



**894-6441**

10241 Woodley (At Devonshire), Sepulveda



Ron Dunlop

8726 Remmet Ave  
Canoga Park, CA 91304

## Coming Events

- OCT 2ND - V8 MEETING  
UNION SAVINGS & LOAN  
13300 VENTURA BLVD.  
SHERMAN OAKS
- OCT 9TH - SWAP MEET  
LOS ANGELES FAIRGROUNDS
- OCT 16TH - ALL FORD PICNIC  
LA PALMA PARK
- OCT 30TH - SWAP MEET  
ROSE BOWL

## Classified Ads

FOR SALE: 4-16" WHEEL TRIM RINGS  
GOOD CONDITION. \$30.00  
(47-48 TYPE)  
ERNIE BAILY (805) 522-9674

COMPLETE LINE OF AUTOMOTIVE PARTS  
MACHINE SHOP

*Village Auto Supply Co.*

360-2181

CECIL L. PRICE  
OWNER

17548 CHATEWORTH ST.  
GRANADA HILLS, CA 91344

# The Valley 's

P.O. BOX 96 - RESEDA, CA 91335

